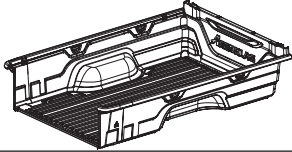
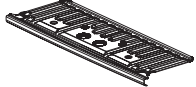
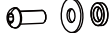

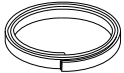


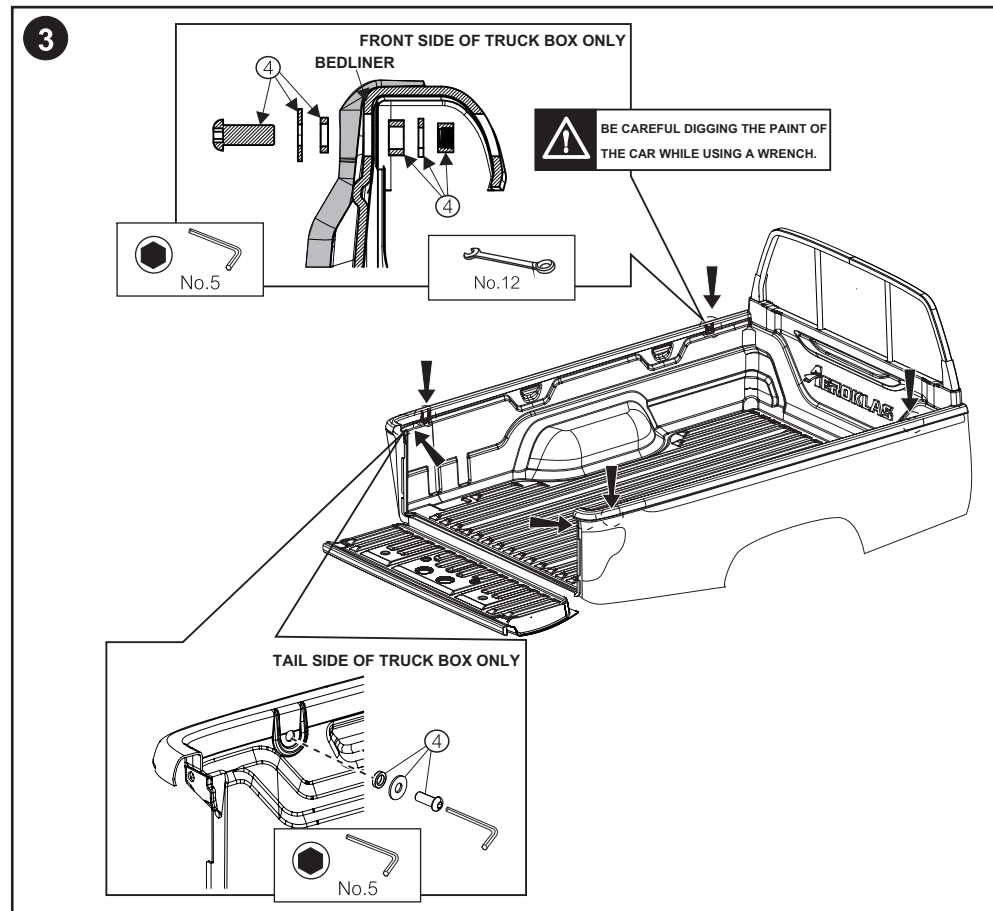
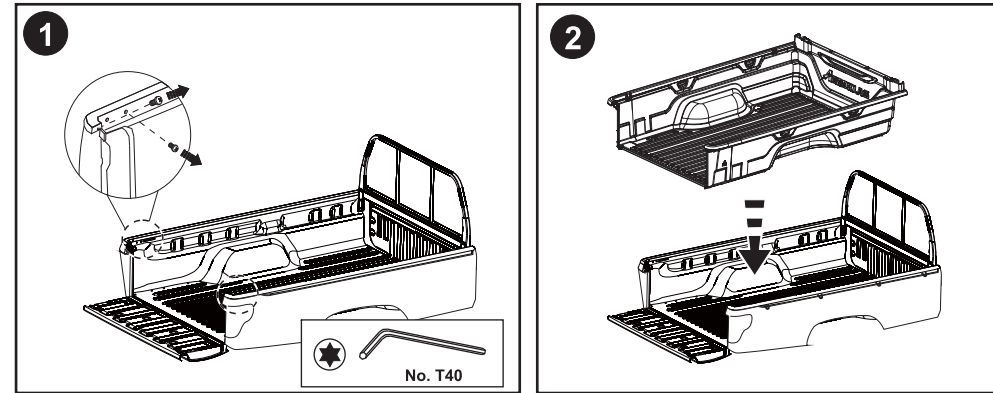
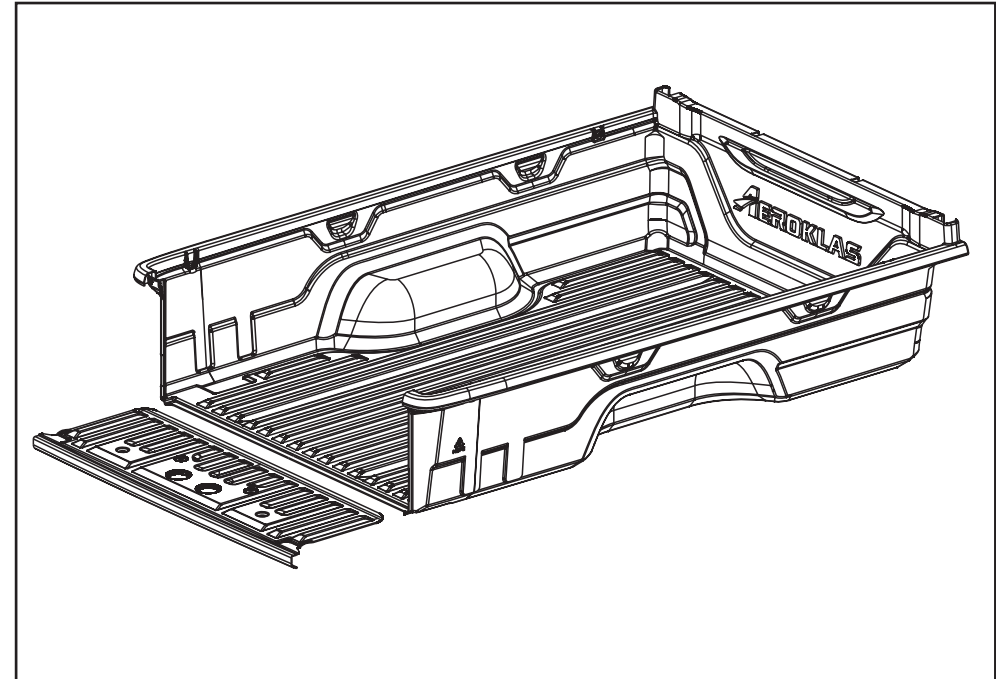
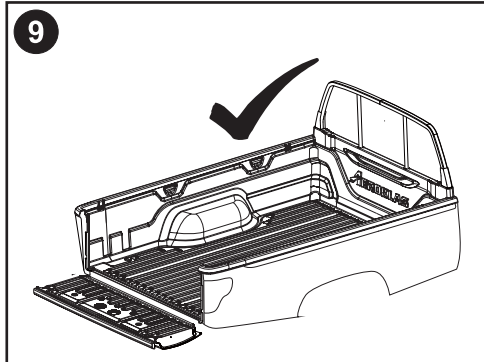
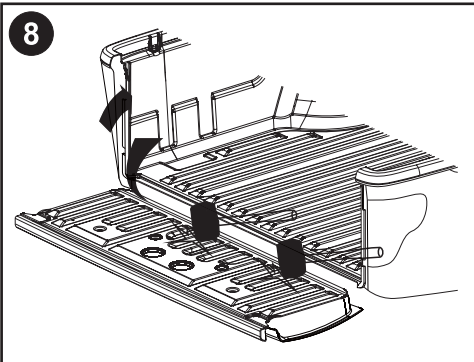
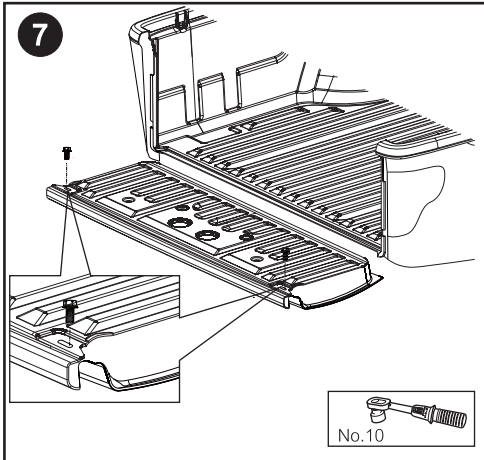
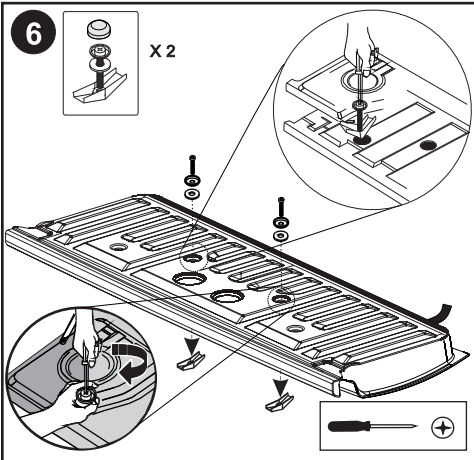
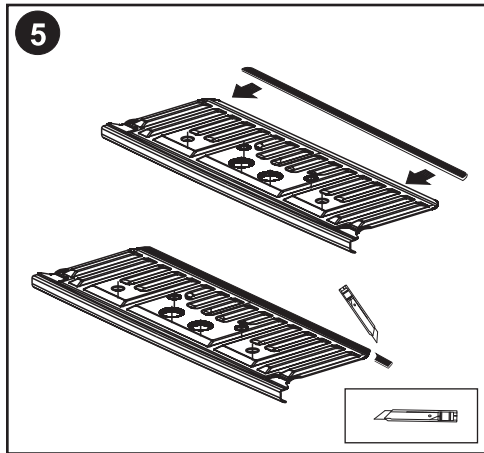
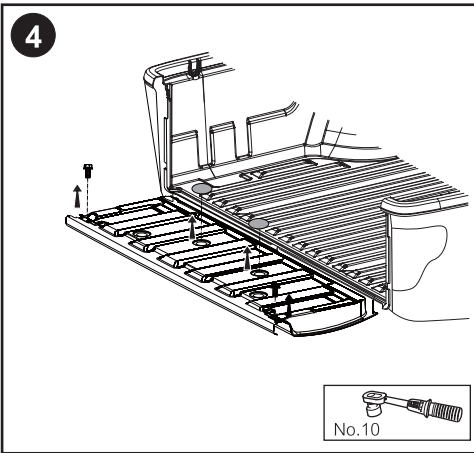


COMPONENT PART OF ISUZU SPARK CAB LINER

NO.	PART NAME	FIGURE	QUANTITY
1	ISUZU SPARK CAB LINER BODY		1
2	ISUZU SPARK CAB LINER TAILGATE		1
3	BOLT M8 SET FOR ISUZU S/C RG01 SIDE		4
4	SOCKET SCREW M8x25 SET FOR ISUZU S/C RG01 FRONT		2
5	TAILGATE PROTECTION		1
6	TOGGLE WING		2
7	PAN HEAD SCREW M8x50 TAILGATE SET		2





TOOLS USED FOR INSTALLATION



CROSS HEAD SCREWDRIVER



TORX WRENCH No. T40



RUBBER HAMMER



CUTTER



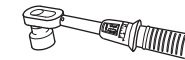
CLEANING FABRIC



HAXAGON WRENCH No.4



WRENCH No. 13



BLOCK WRENCH No. 10