

Sports Bar - Mounting kit

Installation manual

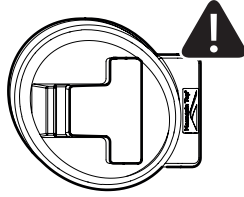
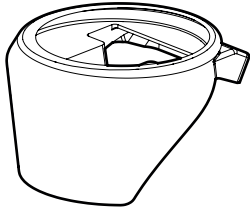


DOWNLOAD PDF



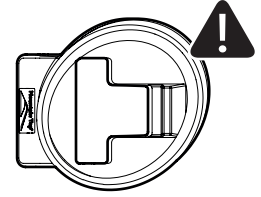
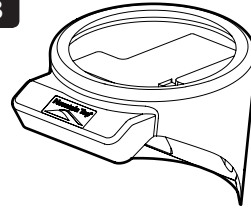
Parts

A



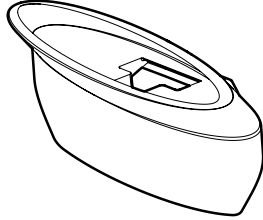
x 1

B



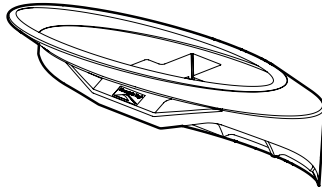
x 1

C



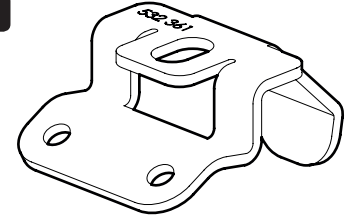
x 1

D



x 1

E

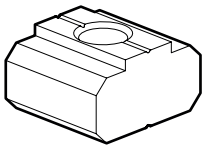


x 4



Kit

F



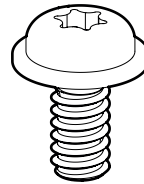
x 8

G



x 8

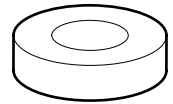
H



M6x12

x 8

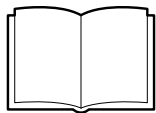
J



x 4



Manual(s)



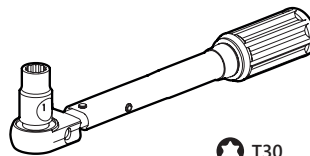
Installation manual

x 1



Tools and materials needed

1 - 25 Nm

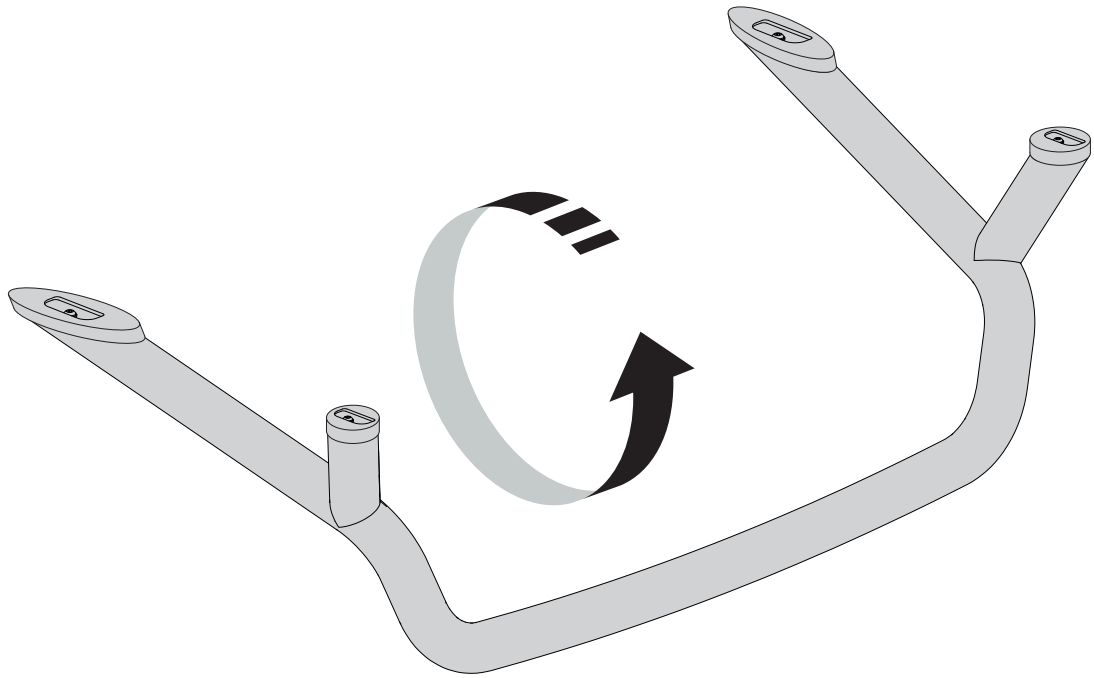


T30

17 mm

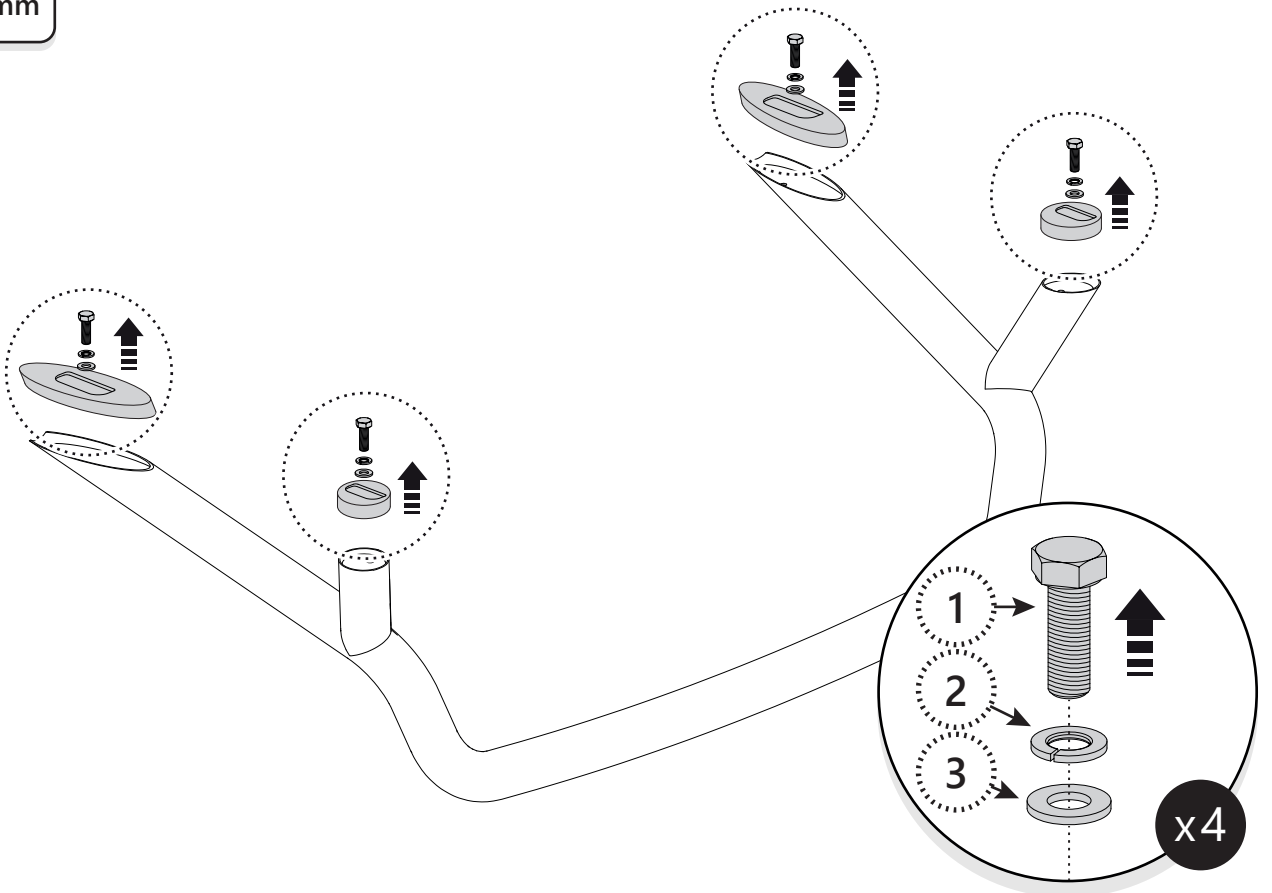


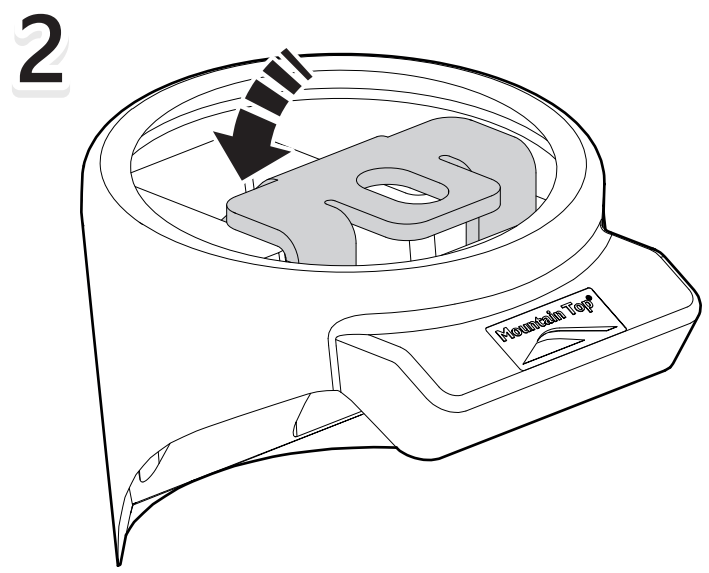
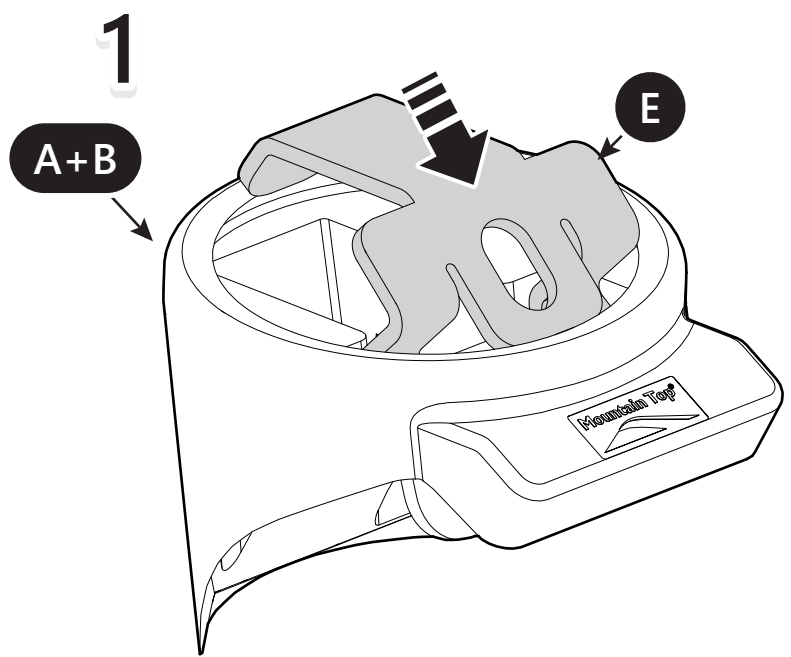
1

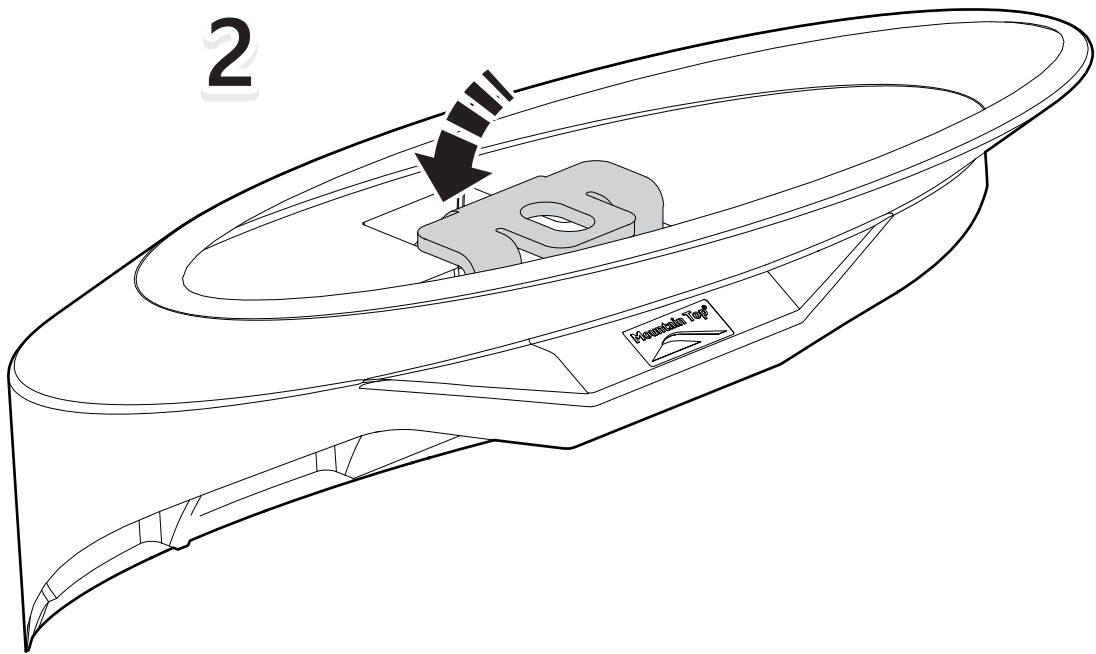
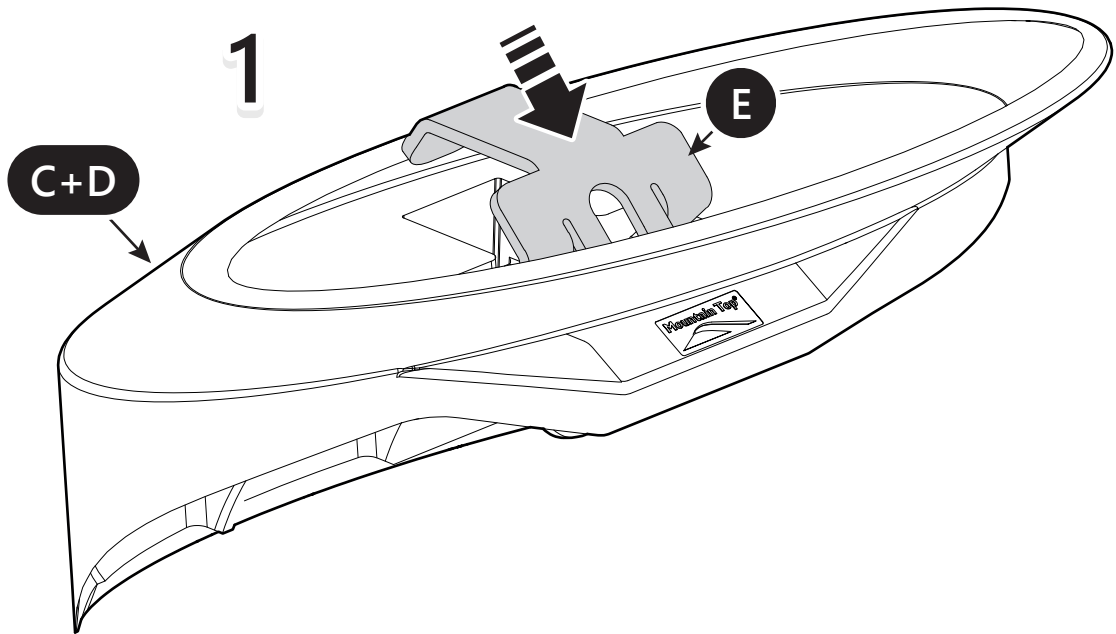


2

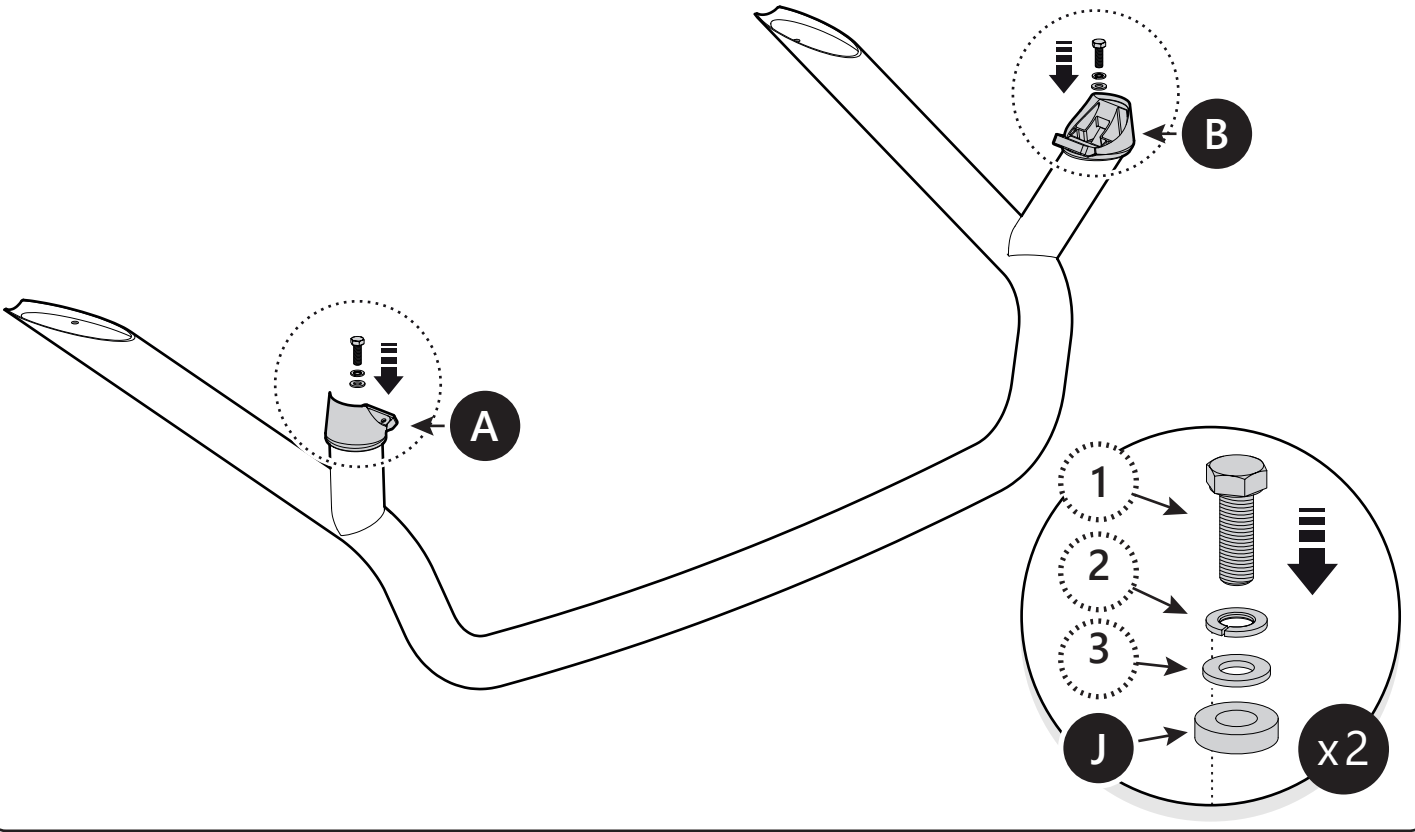
17mm



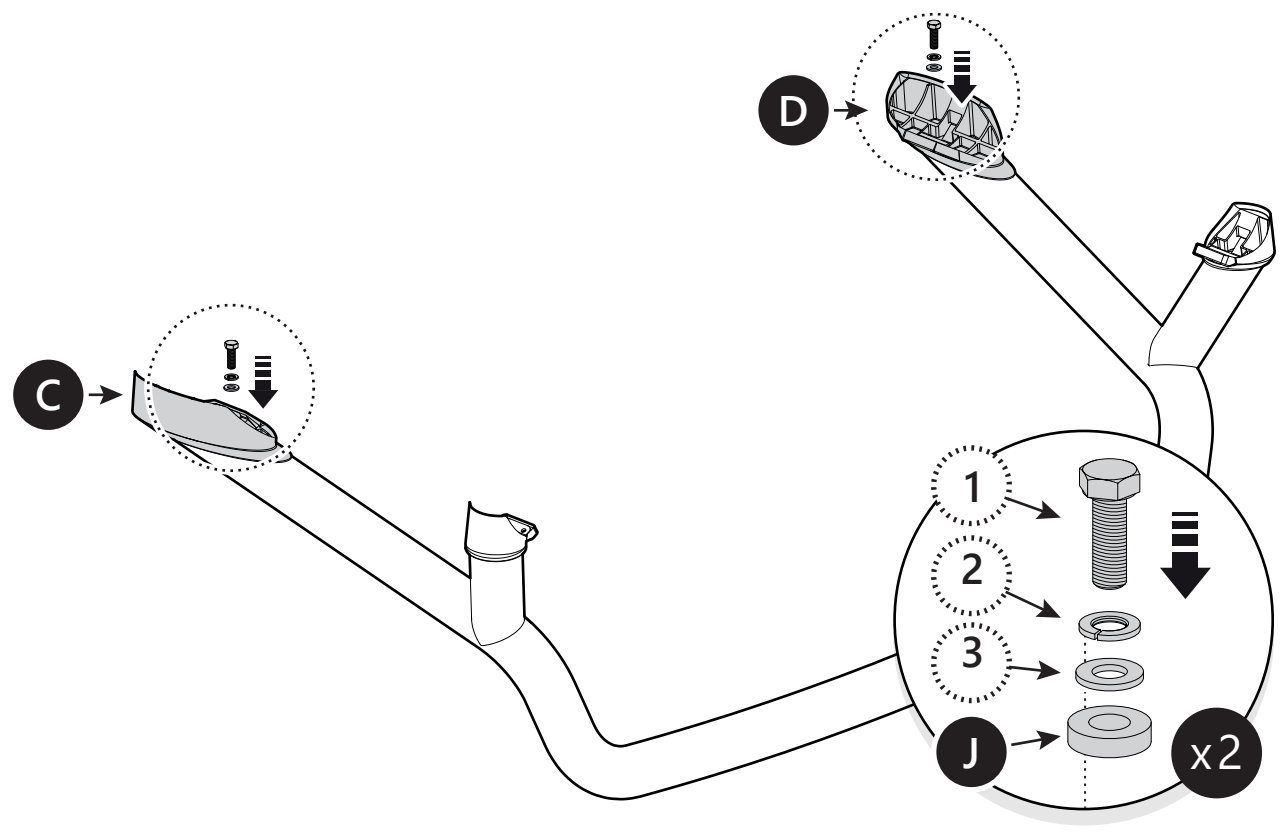


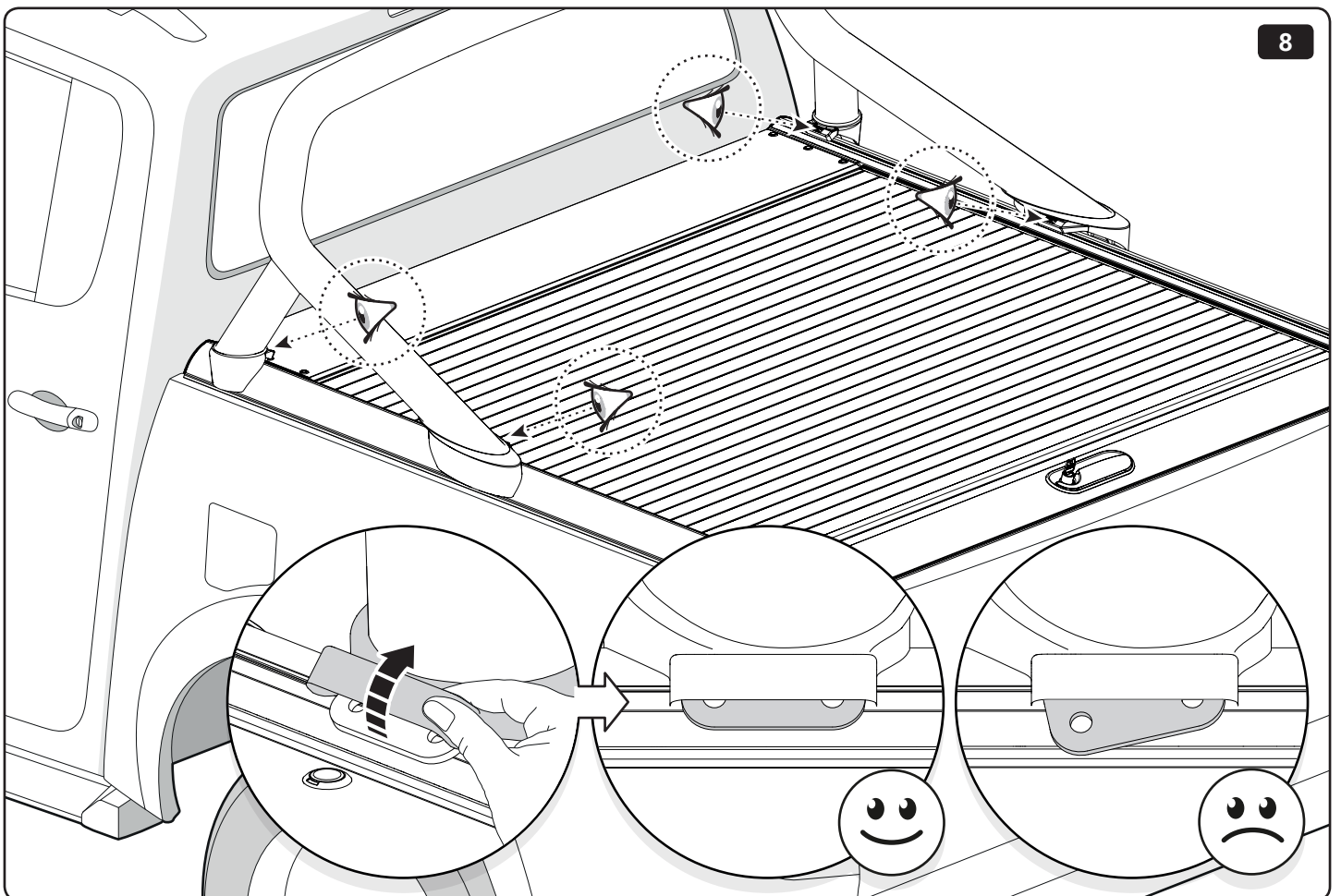
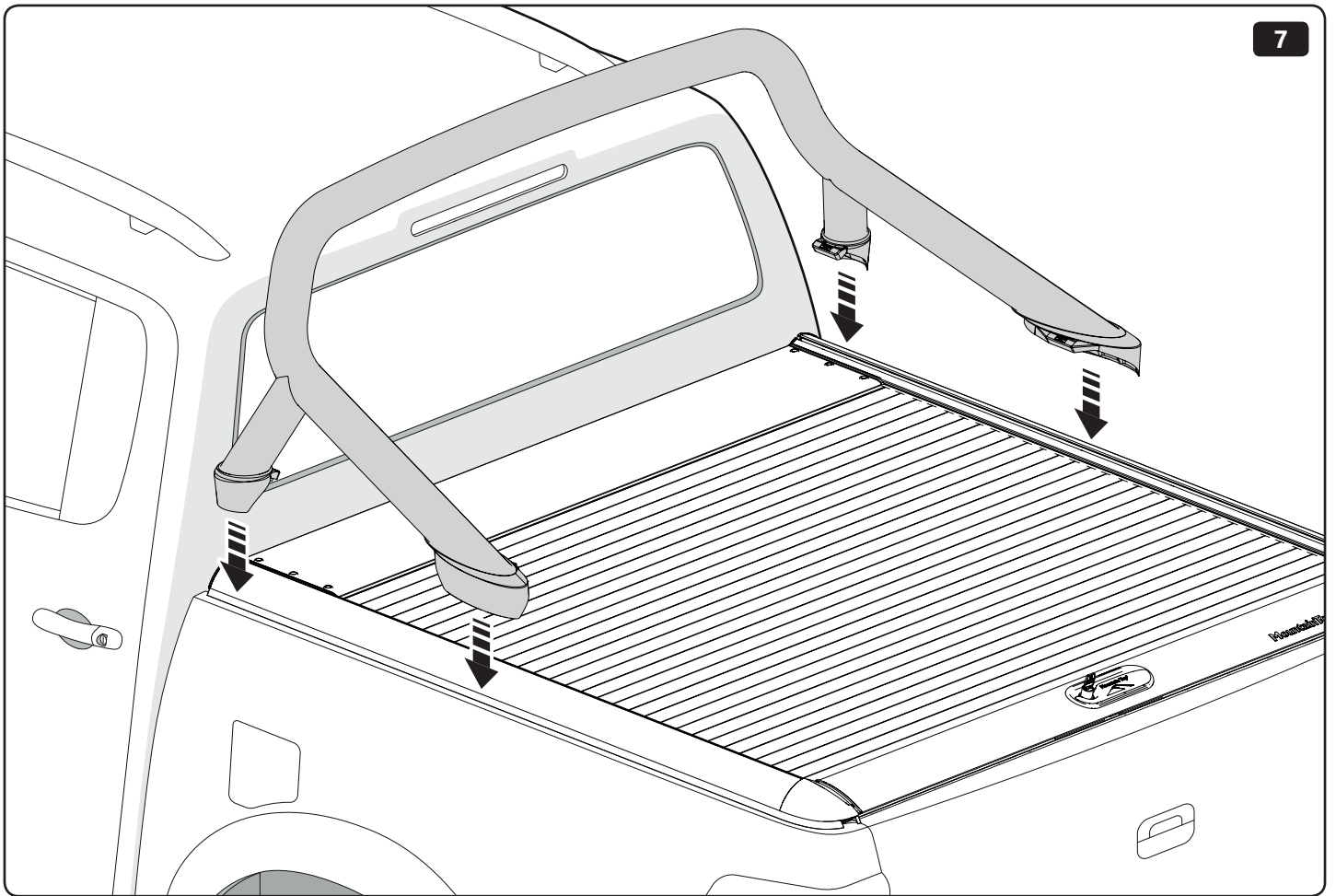


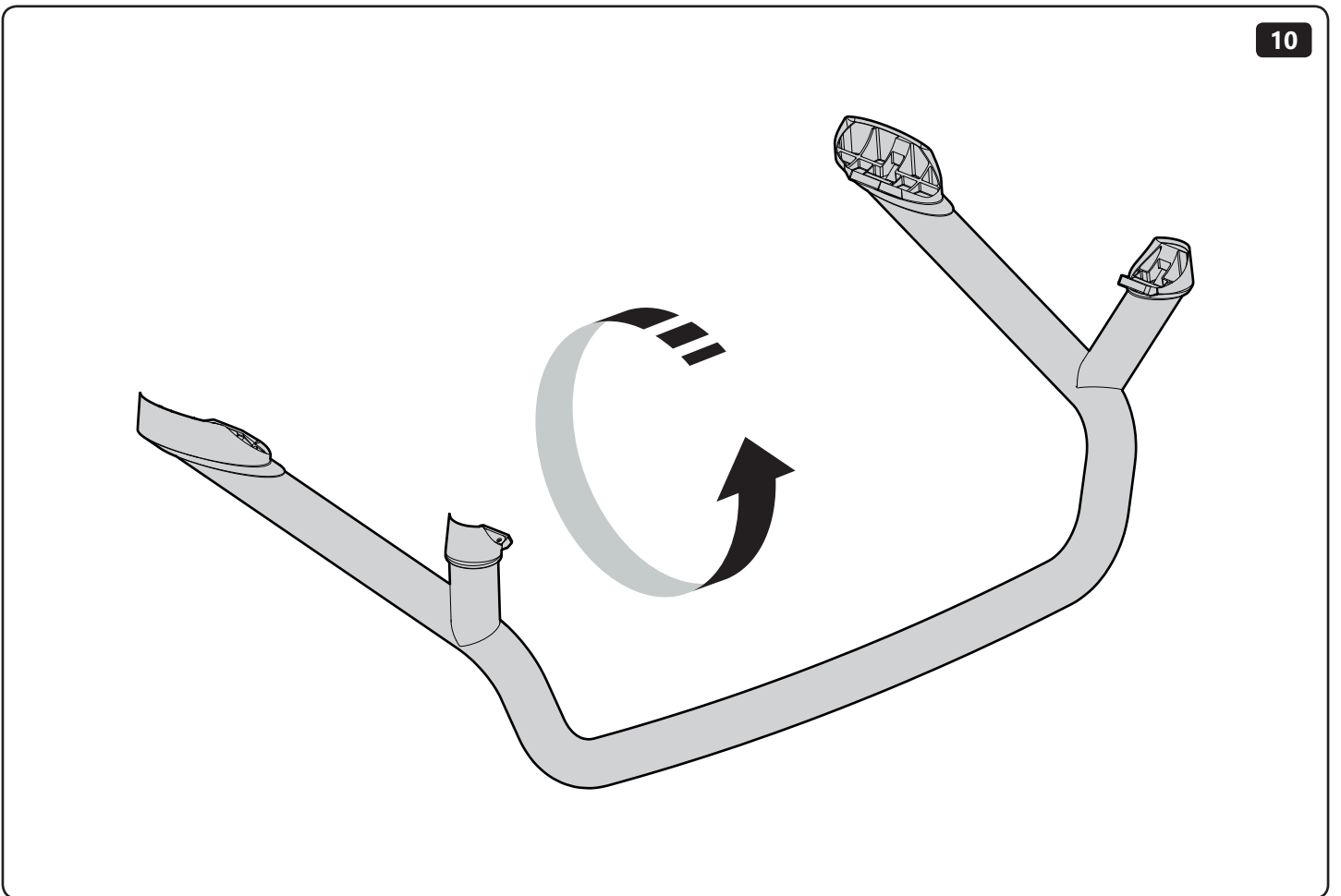
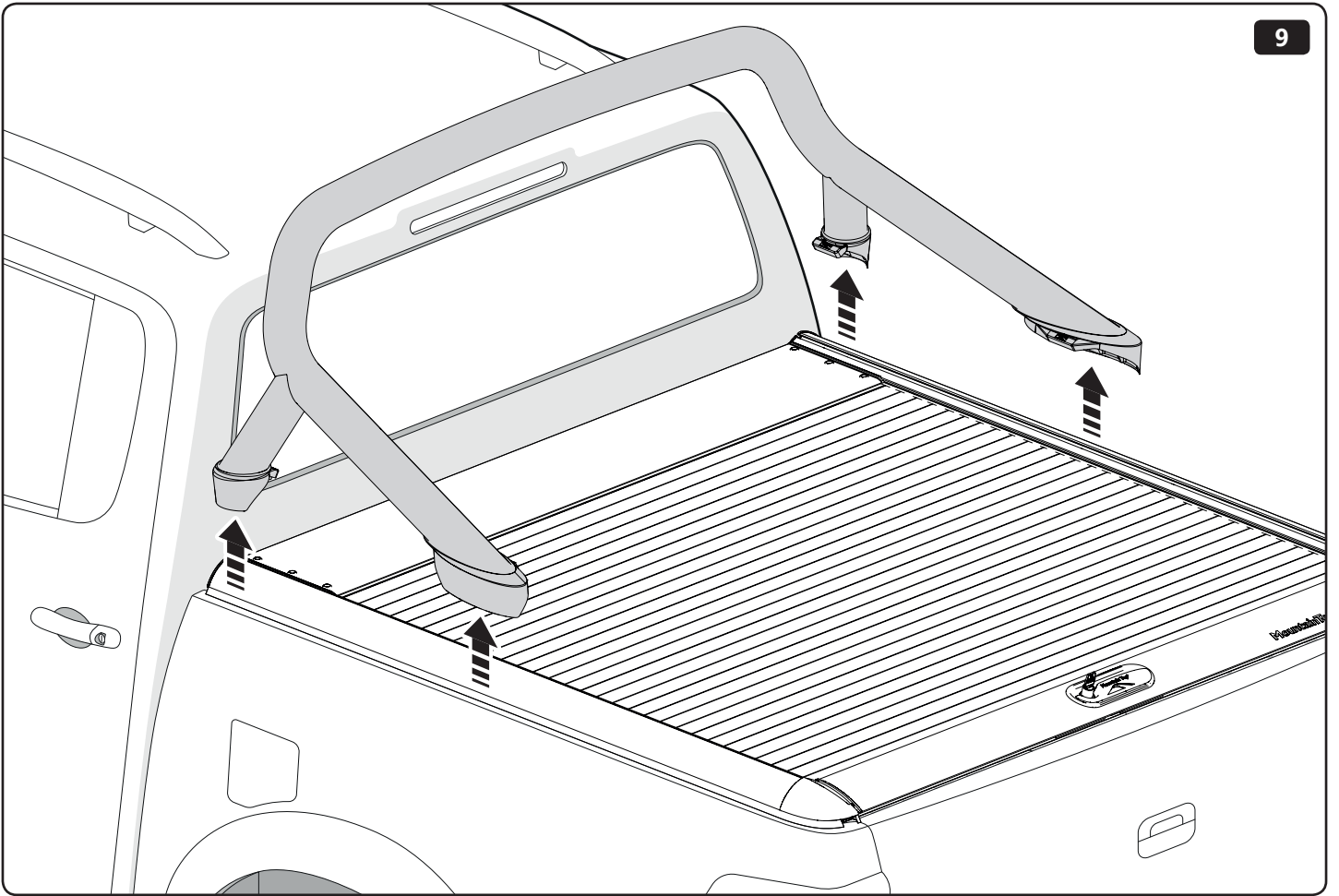
17mm

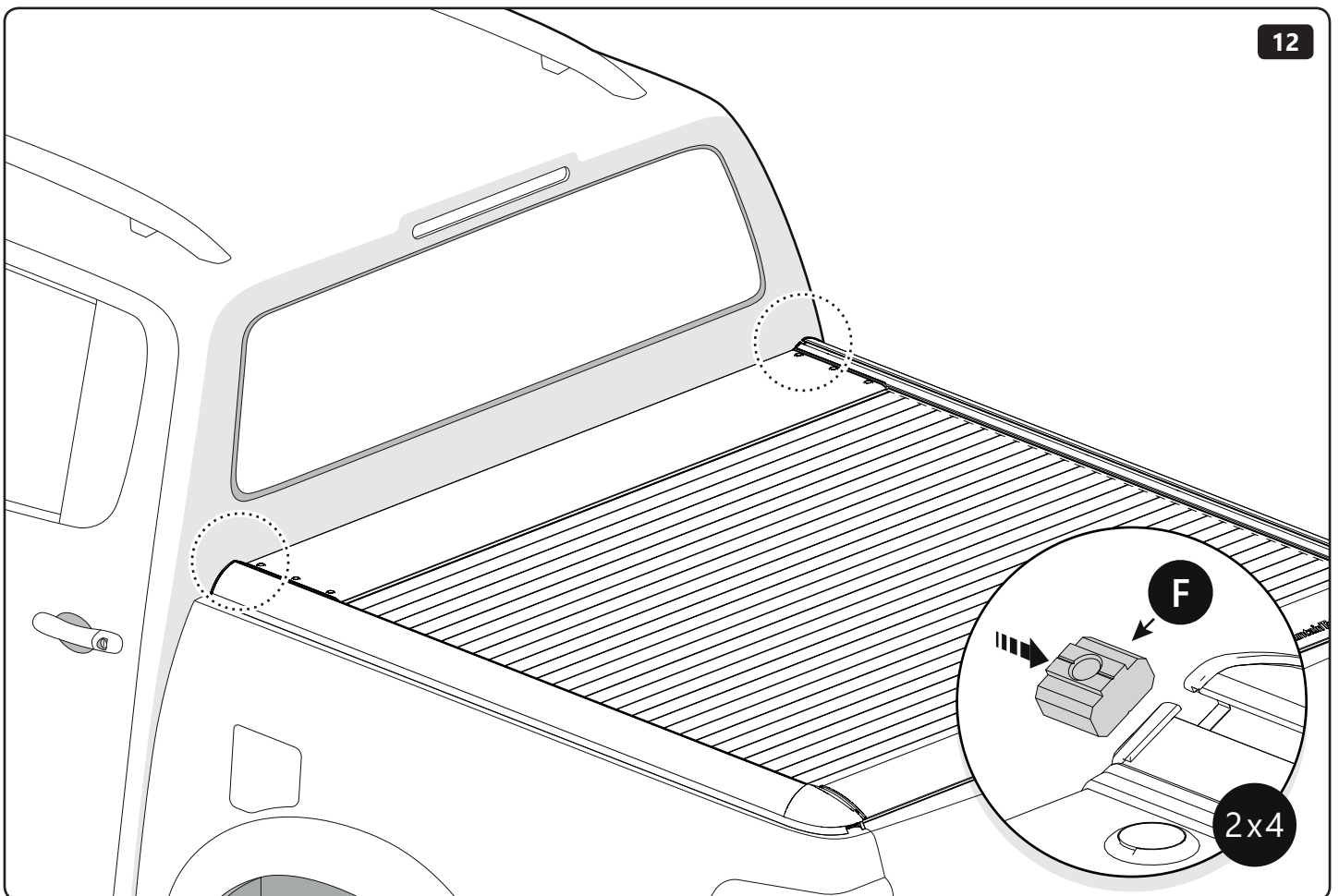
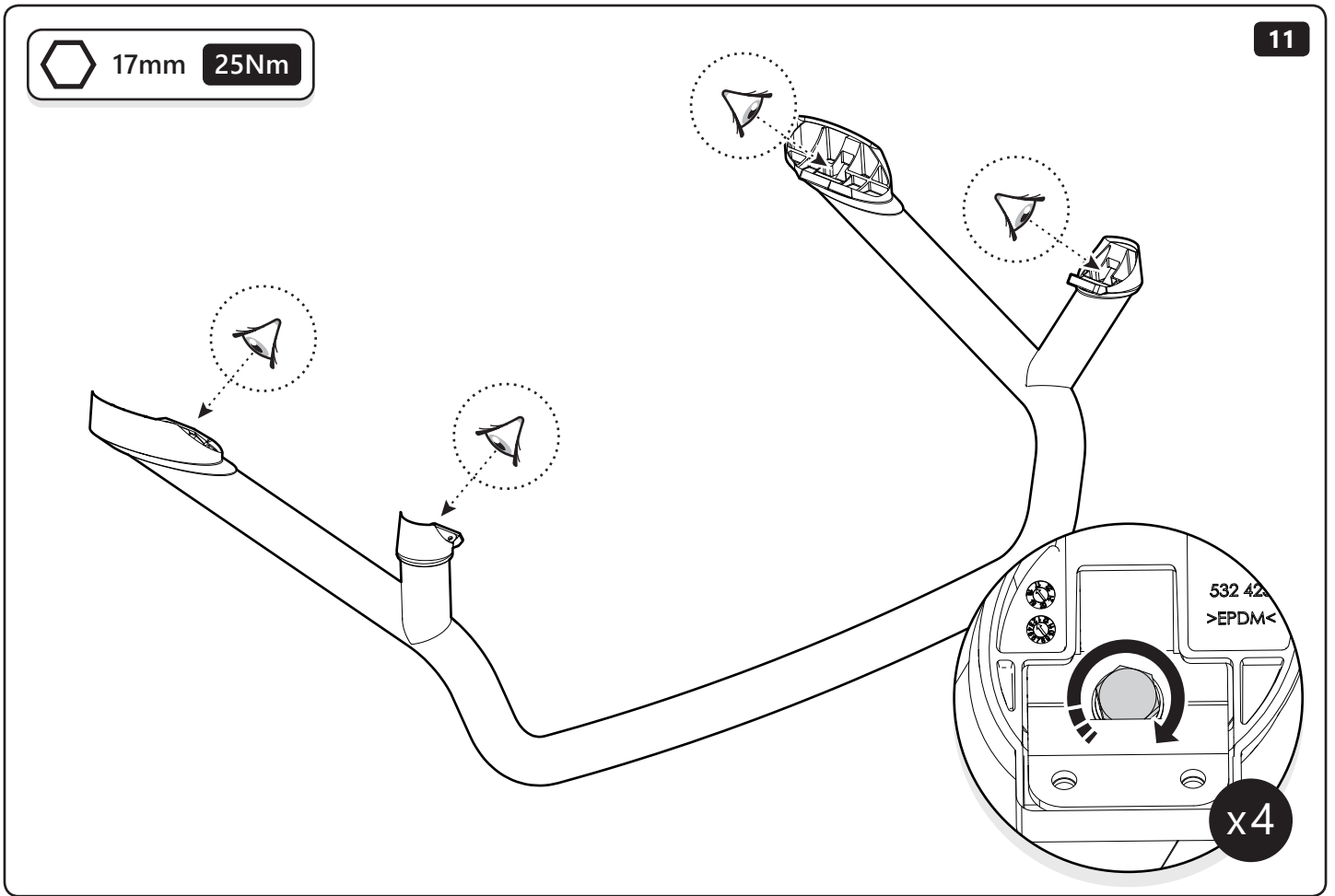


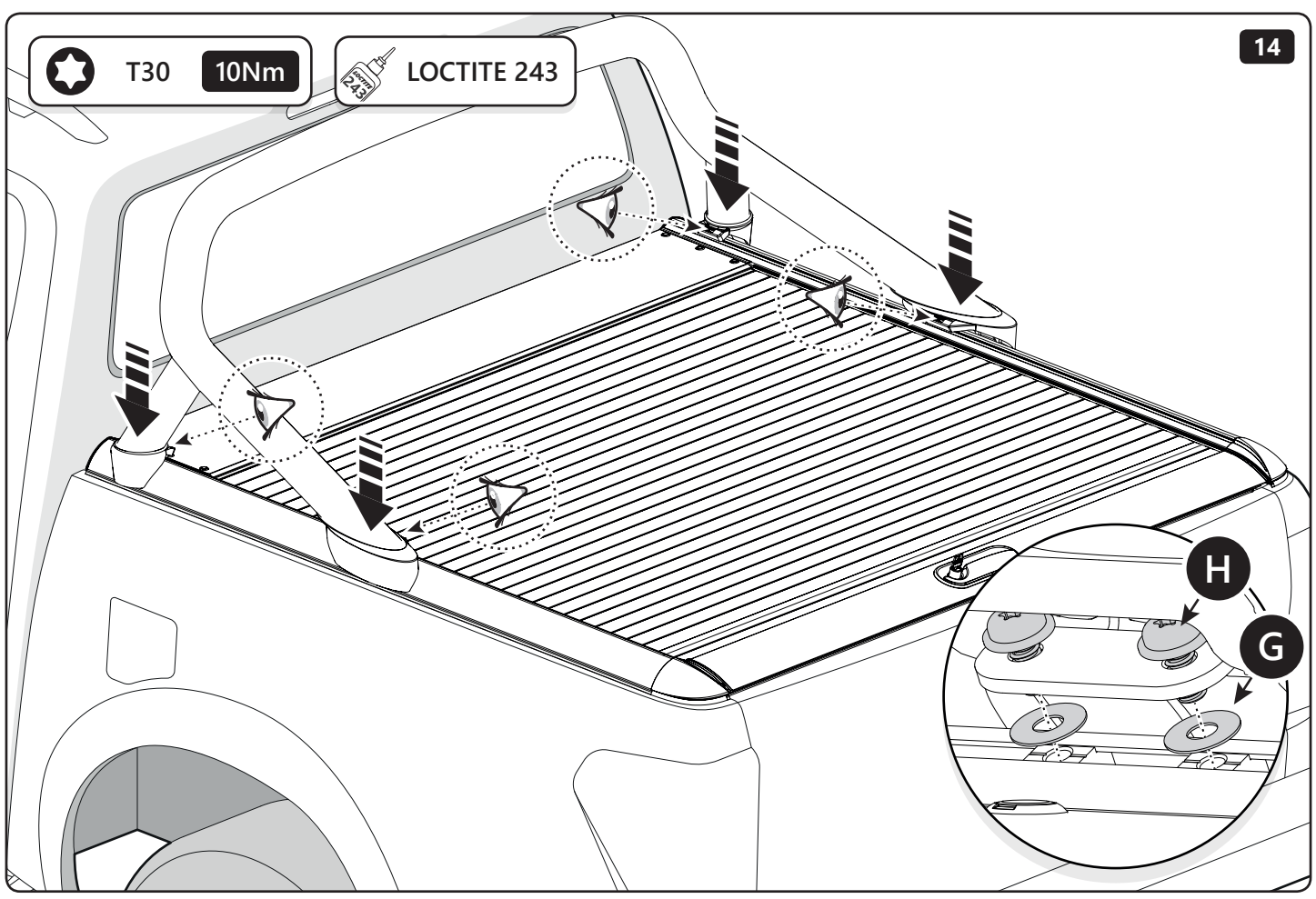
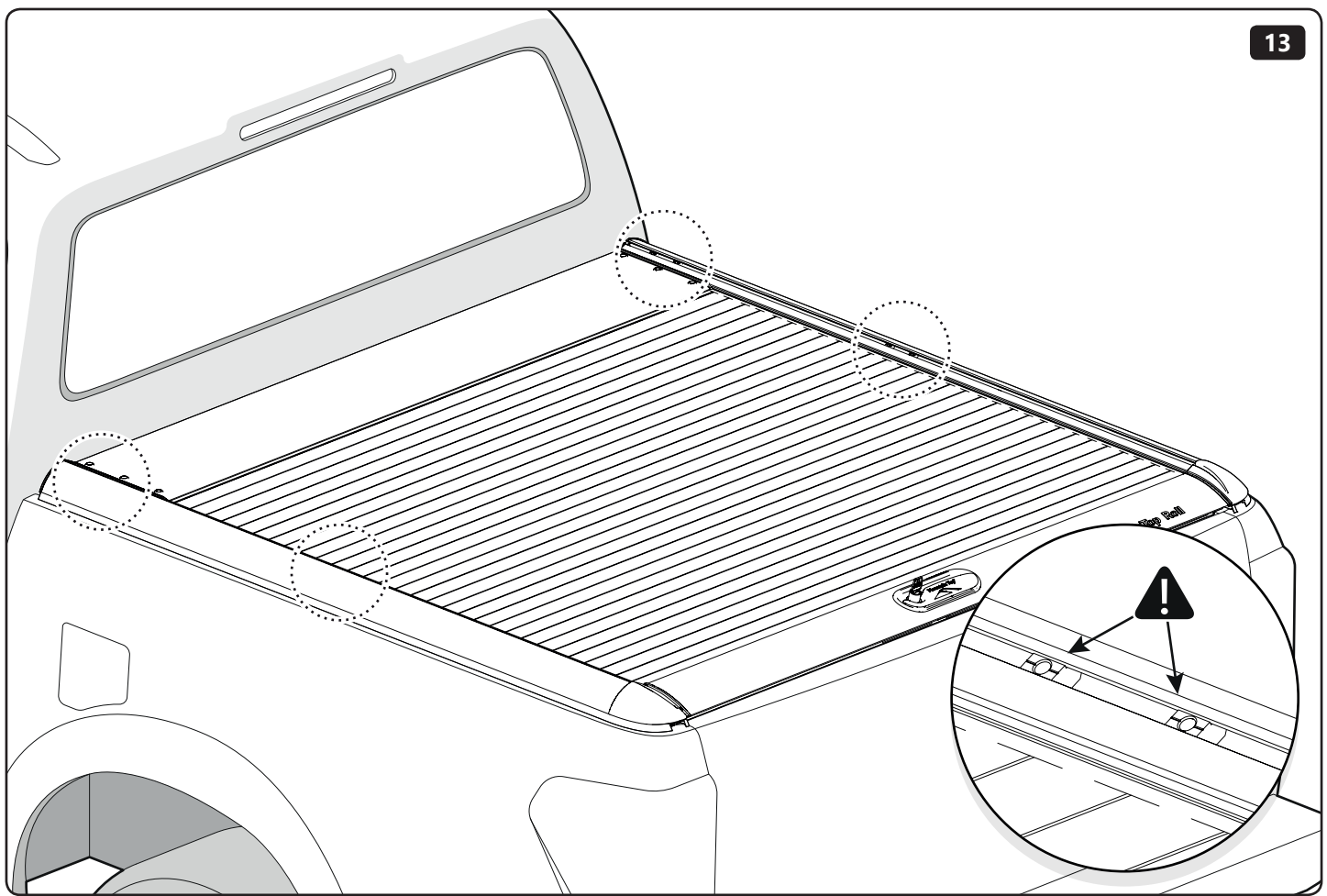
17mm













Customer Service +45 4810 2950 (08:00 - 16:00 CET)
Fax +45 4810 2960
Support info@mountaintop.dk
Website www.mountaintop.dk
Address Pedersholmparken 10, 3600 Frederikssund, Denmark

PART NUMBER(S)	MODEL / YEAR	CAB TYPE(S)	INSTALLATION TIME	WEIGHT
SB 0051	Toyota / 2016 →	Double Cab / Extra Cab	1 hour(s)	1,15 Kg

GB Installation manual	S Monteringsanvisning	D Einbauanleitung
SF Asennusohje	E Instrucciones de montaje	CZ Návod k instalaci
F Notice de montage	H Szerelési utasítás	I Istruzioni de montaggio
PL Instrukcja montażu	P Instruções de instalação	GR Οδηγίες Εγκατάστασης
NL Installatie-instructies	RUS Инструкция по установке	DK Monteringsvejledning
TR Montaj Talimatı	N Monteringsveiledning	RO Instructiuni de instalare