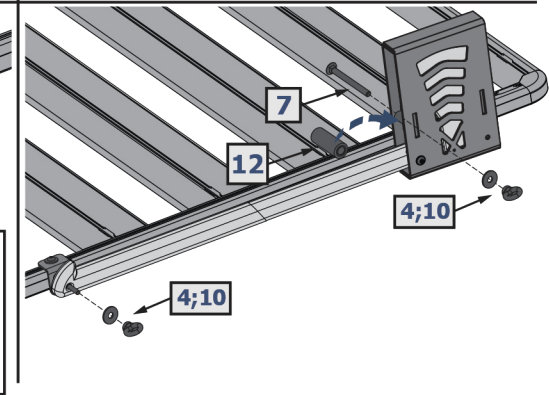
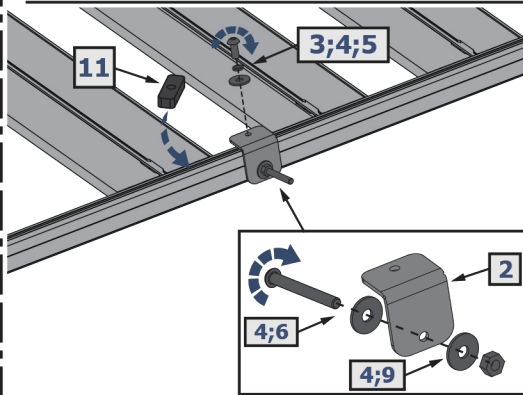
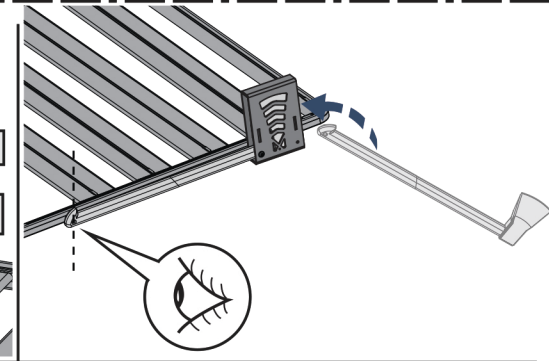
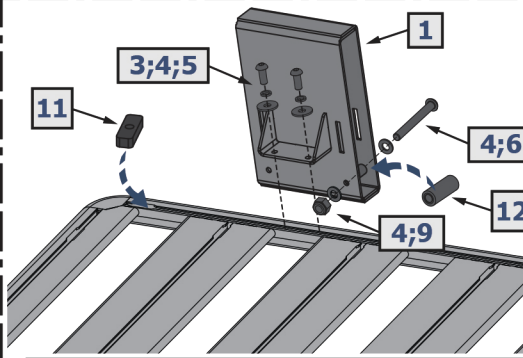
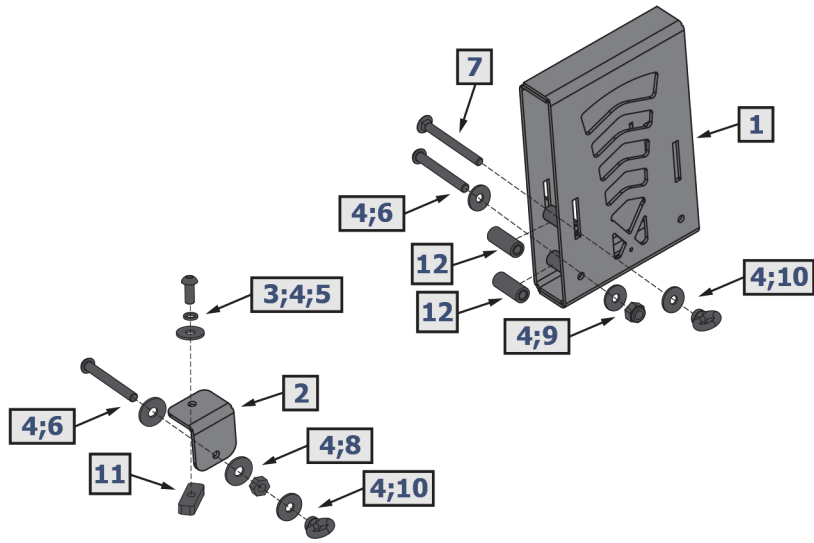
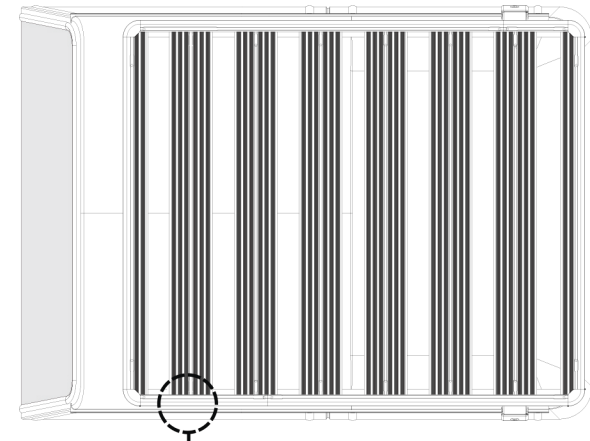


**AXE MOUNTING BRACKET
FOR RIVAL MODULAR RACK
2MD.0012.1**



1		2		3		4		5		6		7	
	x1		x1		M8x20		ø8		ø8		M8x70		M8x80
8		9		10		11		12					
	M8		M8		x2		x3		x2				